



prime Multiprox

primion has developed a portfolio of proximity readers to meet the highest security requirements, while at the same time offering high levels of user comfort. The reader is activated just by holding a credential within its read area.

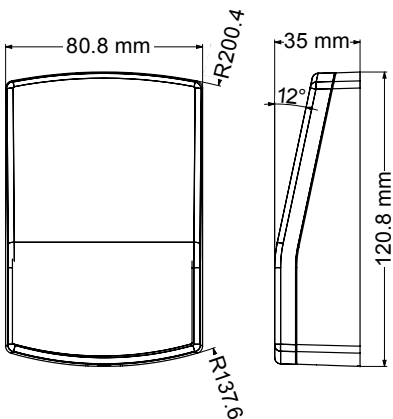
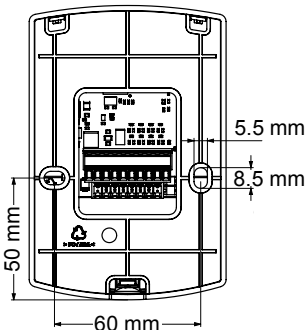
Thanks to the electronics being potted and also having an additional lacquer coating, the prime Multiprox readers offer a secure option for deployment in a protected outdoor environment.

With its simple yet practical design, the reader blends into the building environment. The simple operation of the reader or reader/keypad offers high user comfort.

As standard, the Multiprox readers can also be deployed as pKT master readers, further underlining its multi-functionality.

pKT master function

With this function, the reader can read individual access-related data from the credential and at the same time, write new access-related information onto the credential, e.g. updated access rights. The pKT master function is only available if the reader is connected to an IDT 32 / IDT 2x controller and if one of the corresponding Master reader software options has been ordered and activated.



Features

- ▶ Available for various credential technologies
- ▶ Contemporary design
- ▶ Can be installed indoors and in protected outdoor locations
- ▶ 2 LEDs for status display
- ▶ Simple installation
- ▶ High level of security
- ▶ Flexible application
- ▶ Simple handling
- ▶ 1 Integrated sounder
- ▶ 1 Door opener relay
- ▶ 1 Door status input
- ▶ 1 REx button input
- ▶ Integrated tamper contact

pKT master function

- ▶ For reading and writing a person's access authorisations
- ▶ Access rights are administered in the host system
- ▶ RFID credentials are used as virtual information carriers
- ▶ Reaction time, typically 1 sec
- ▶ Special authorised cards are possible, e.g. emergency services
- ▶ High data security through RS485 AES encryption between reader and control panel

made in

Germany

Technical data

Power supply	9 - 50 VDC
Power consumption	max. 170 mA at 12 VDC
Housing	Impact resistant synthetic material
Colour	Upper part — Silver grey translucent Lower part — Anthracite
Dimensions (W x H x D)	120.8 x 80.8 x 35 mm
Weight	0.4 kg
Protection class	IP54
Reader interfaces	Clock / Data, RS485
Technologies	MIFARE® DESFire® EV1, LEGIC advant®
Read distances	MIFARE® DESFire® EV1 — typically 35 mm with card typically 25 mm with key tags LEGIC advant® — typically 70 mm with card (ISO 14443A), typically 40 mm with key tags

The device fulfils the specifications of DIN EN 60721-3-3:1995/A2:1997, Class 3K6 (exterior).
Read distances can vary depending on environmental and installation conditions.

Ordering information

Access control readers, silver, multiprotocol, potted and lacquered

L10B-188.01	—	MIFARE® DESFire® EV1; MP4 MP
L10B-188.01-OSS	—	MIFARE® DESFire® EV1; MP4 MP / OSS*
L10B-189.01	—	LEGIC advant®; LP4 MP
L10B-189.01-OSS	—	LEGIC advant®; LP4 MP / OSS*

Access control readers, silver, multiprotocol, potted and lacquered, with keypad

L60B-188.01	—	MIFARE® DESFire® EV1; MPK4 MP
L60B-188.01-OSS	—	MIFARE® DESFire® EV1; MPK4 MP / OSS*
L60B-189.01	—	LEGIC advant®; LPK4 MP
L60B-189.01-OSS	—	LEGIC advant®; LPK4 MP / OSS*

Accessories

Z170-013.01	—	Surface-mounting frame
Z040-050.01	—	Mounting column, brushed stainless steel
Z170-014.01	—	Silicon sealing gasket, white